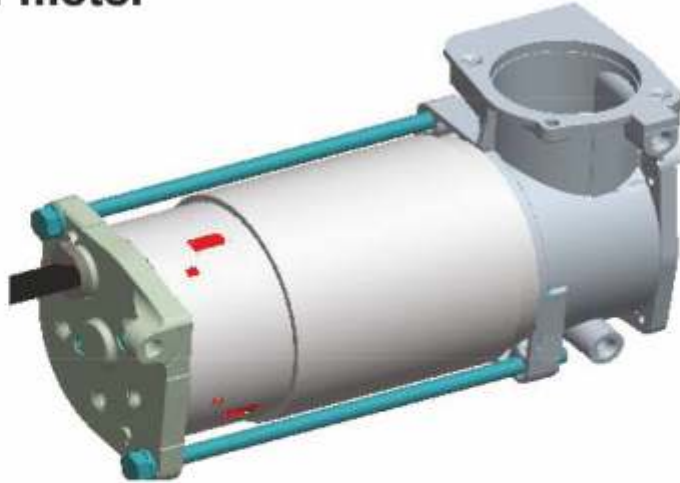


## SCM 80 , 12V DC Compressor motor



### APPLICATION:

DC motor to drive single stage compressor for Air suspension system for various Passenger cars such as BMW, AUDI, Daimler etc.,

### RATINGS:

#### Electrical

System Voltage : 12.0 Volts

#### Mechanical:

Frame Size: Ø 80 mm

#### Thermal

Operating Temperature range: -40°C to 120°C

### CHARACTERISTICS:

#### HP (HIGH POWER) VERSION

Torque : 90 Ncm  
Speed : 2300 – 2700rpm  
Current : 28.0 Amps  
Power : 336 Watts

#### MP (MEDIUM POWER) VERSION

Torque : 80 N cm  
Speed : 2200 – 2600rpm  
Current : 24.0 Amps  
Power : 288 Watts

#### SAILENT FEATURES:

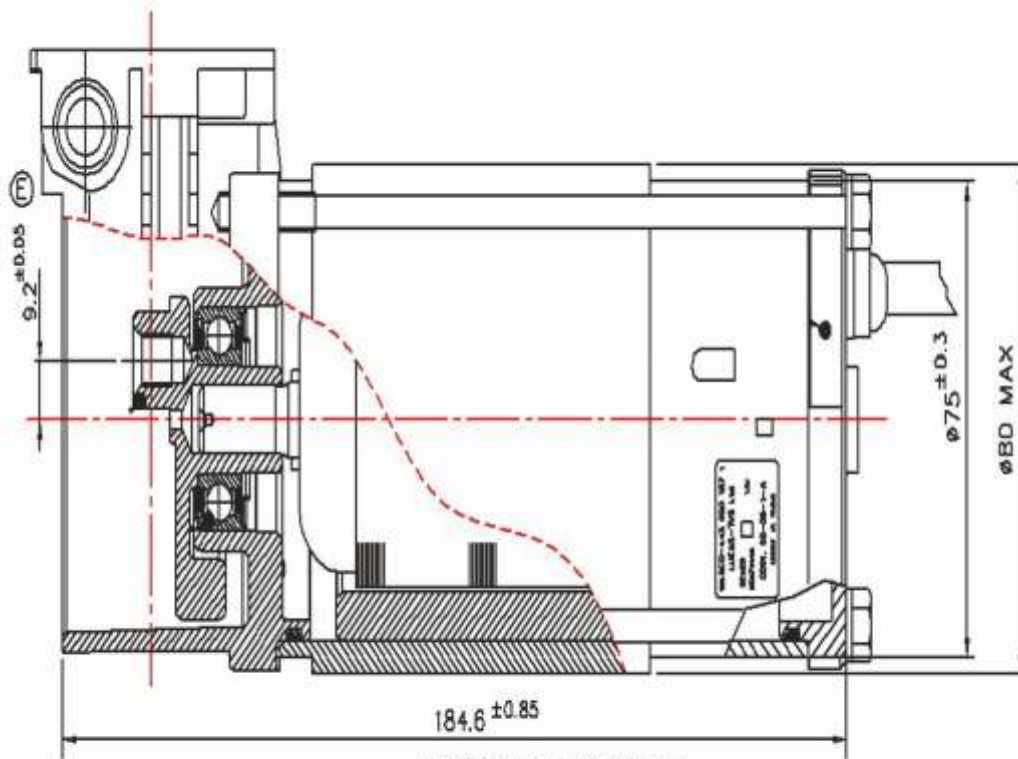
- Good corrosion life.
- Life special finish such as Zinc Nickel – to meet 720 hours of Salt Spray Life
- Sealing class:-IP6k9K
- EMC: Class 5 of CISPR 25
- Operating Life - 750 Hours. Duty Cycle – 50% - Class S3.
- Motor Service life -15 years
- Eco-friendly product with no heavy metals

# PRODUCT DATA SHEET



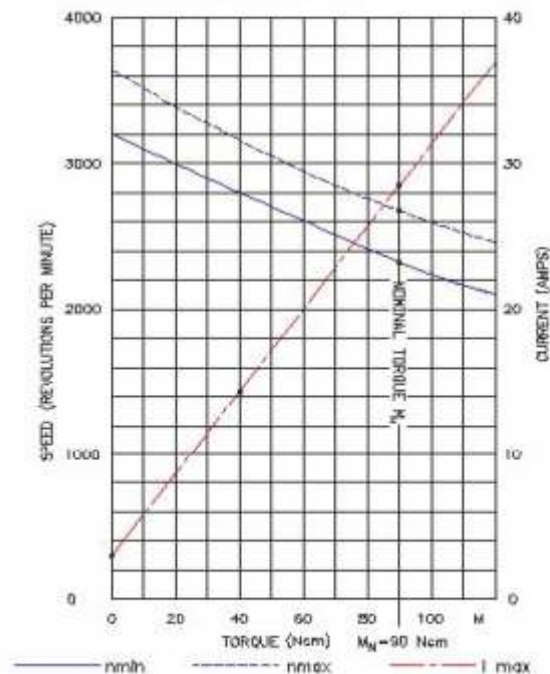
All Dimensions are in mm

## SCM 80 COMPRESSOR MOTOR LAYOUT



PROVISIONAL PERFORMANCE OF  
12V - 342 WATTS MOTOR (HP)

TEST VALUES : VOLTAGE - 12V DC AT MOTOR TERMINALS  
AMBIENT TEMPERATURE : +20°C



This product can only be used in approved applications and in accordance with maintenance requirements and replacement intervals. This information is available on request.