

Blower Motor Assembly

Type : SBM63

12.8 V



APPLICATION :

Designed for circulation of **Conditioned Air** in the Passenger compartment in Passenger Cars & Utility vehicles.

RATINGS :

Electrical :

System Voltage : 12.8 Volts

Polarity : Insul Return

Rating : Continuous

Thermal

Operating Temp. Range : -30° C to +80° C

Weight : 1.25 Kg (Approx.)

CHARACTERISTICS :

Voltage : 12.8 Volts

Speed at 0.49 Nm : 3700 ± 200 RPM

Current at 0.49 Nm : 24 Amps Max.

Rotation : Clock Wise (Viewed from Impeller End)

Features :

2 Pole PMDC Motor with RFI Filters

3 Piece Motor Construction with wrapped yoke
Self Lubricating Sintered Iron Bronze Bearing at both drive and non drive ends

Multi van 2 stage moulded impeller with Poly Propylene – 10% Talc & 10 Chalk Filled.

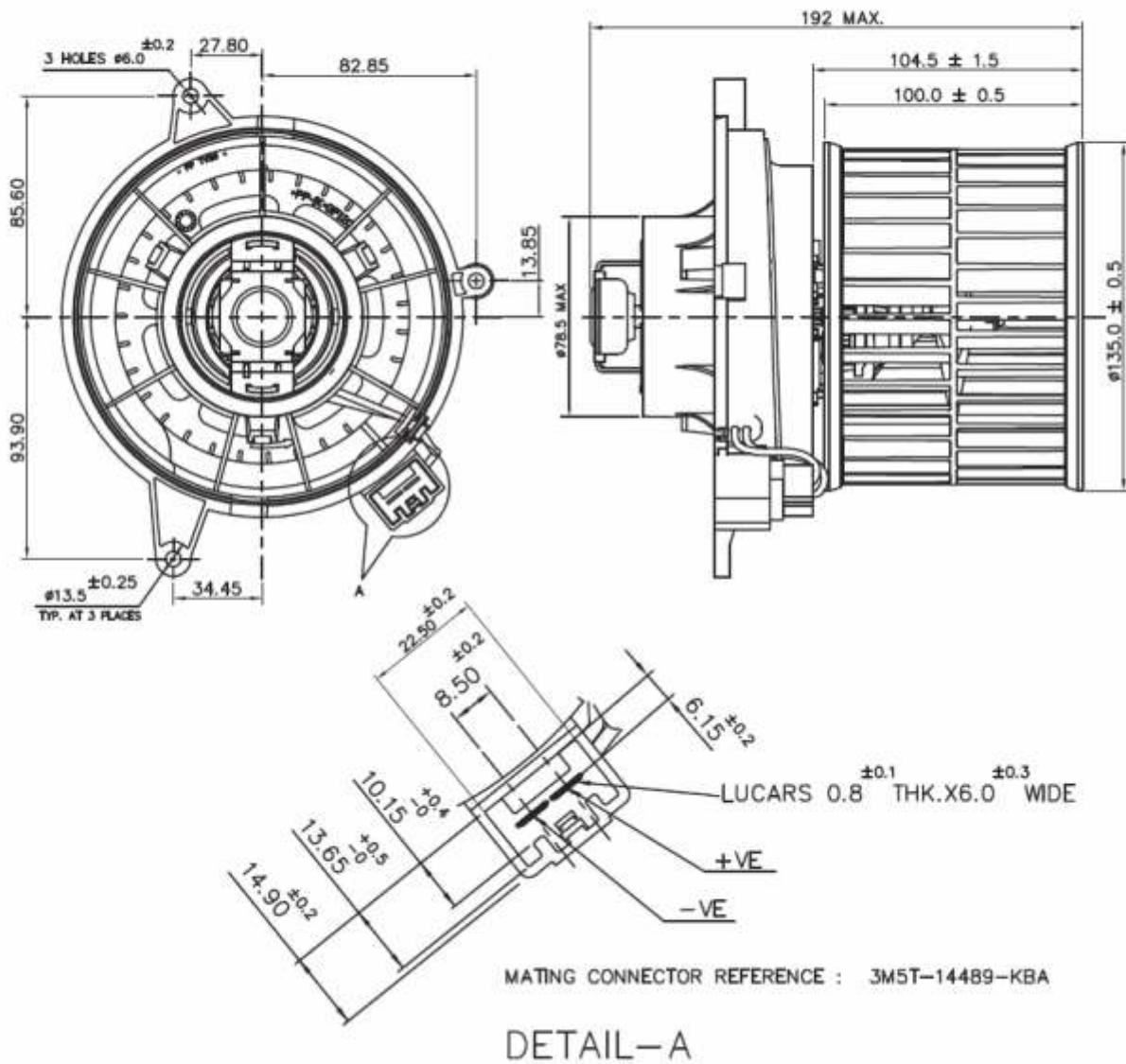
Ventilated Design

Moulded Mounting Bracket with 20% Talc Filled Propylene material - 3 Point mounting

PRODUCT DATA SHEET

All Dimensions are in mm

Blower Motor Assembly Type : SBM63 12.8 V



This product can only be used in approved applications and in accordance with maintenance requirements and replacement intervals. This information is available on request.