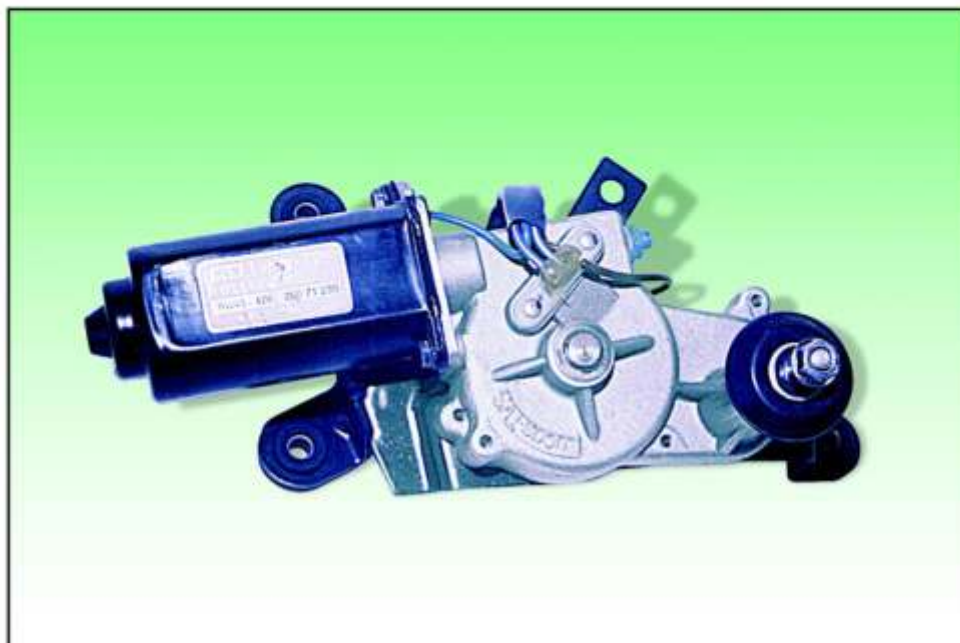




Rear Wiper Motor

Type : RW43

12V - 8.0 N.m. @ 13.5V



APPLICATION

Designed for rear window wiping on cars and utility vehicles.

RATINGS

Electrical

System Voltage : 12V
Polarity : Negative Earth

Thermal

Operating ambient temperature range - 40°C + 80°C

CHARACTERISTICS

Electrical

Typical Running Current (Wet Screen)
1.5 -2.5 Amps (Normal Speed)

Mechanical

Rated Torque (Cold)
At Output Gear
8.0 Nm. at 13.5 Volts

Operating Speed (Nominal)

Normal Speed 38 wipes/minute

Angle of Wipe 114°

Weight : 1.4 Kg. (approx)

Dimensions : Principal Dimensions are given overleaf. Detailed drawings are available on request.

FEATURES

- Single Spindle Wiper Motor designed to wipe rear window wind screen with one arm and one blade
- Wiper motor has a capacitor connected in parallel to power supply to minimise radio interference
- Thermal cutout to protect armature

Mounting

Three point location

Life

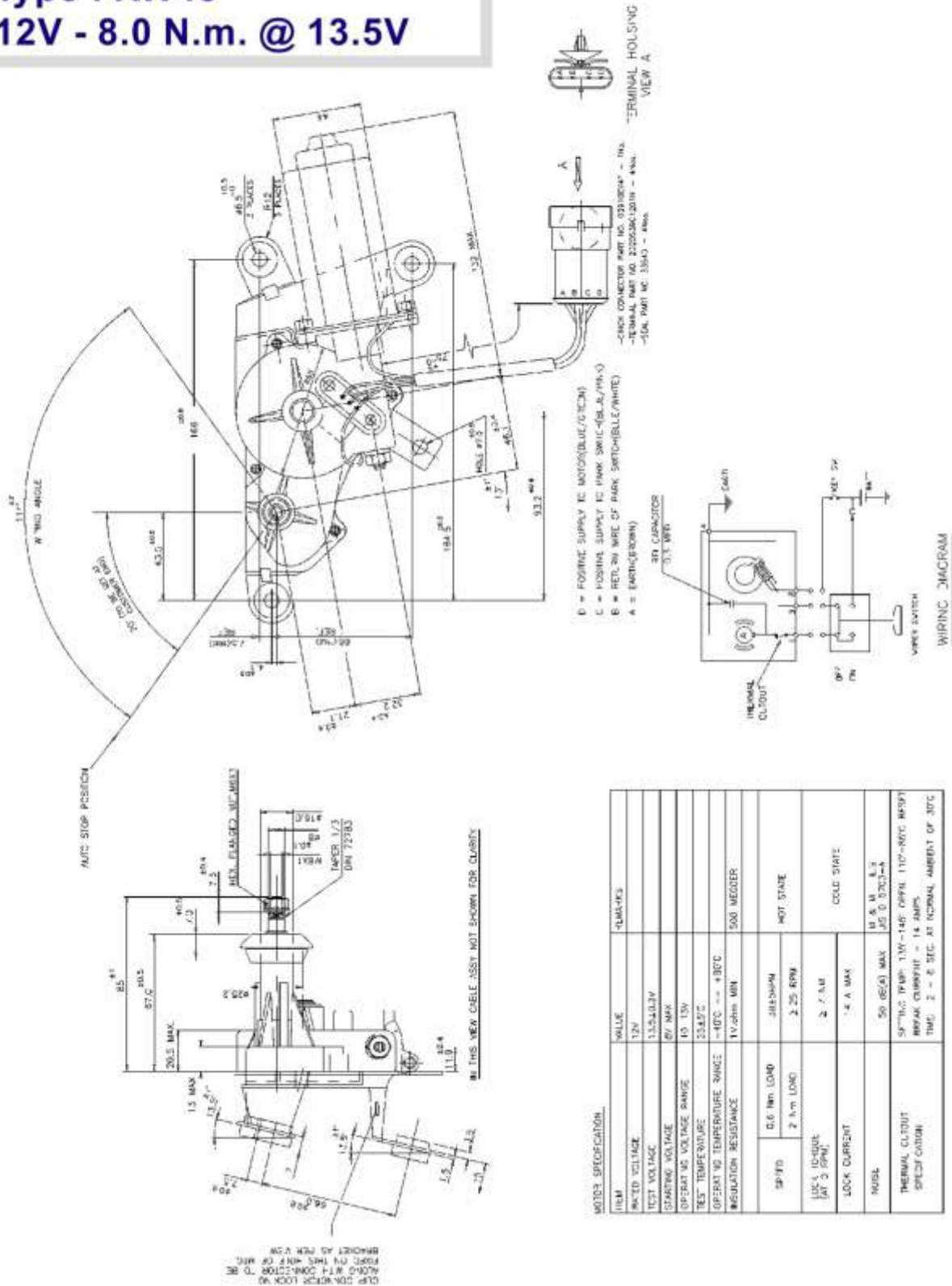
Continuously rated for 250 hours.

PRODUCT DATA SHEET



All Dimensions are in mm

Rear Wiper Motor Type : RW43 12V - 8.0 N.m. @ 13.5V



This product can only be used in approved applications and in accordance with maintenance requirements and replacement intervals. This information is available on request.