

Blower Motor Assembly – YDK DESIGN

Type : NAM62

12.0 V



APPLICATION :

Designed for circulation of **Conditioned Air** in the Passenger compartment in Passenger Cars & Utility vehicles.

RATINGS :

Electrical :

System Voltage : 12.0 Volts

Polarity : Insul Return

Rating : Continuous

Thermal

Operating Temp. Range : -30° C to +80° C

Weight : 810 gms (Motor Only)

CHARACTERISTICS :

Voltage : 12.0 Volts

Speed at 0.30 Nm : 3650 ± 10% RPM

Current at 0.30 Nm : 13.5 Amps Max.

Rotation : Counter Clock Wise
(Viewed from Impeller End)

Features :

2 Pole PMDC Motor with RFI Filters as required

62 mm frame size – Deep Drawn stepped Yoke

Special Ball Bearing at both drive and non drive ends

Automated End Float Control

Semi Ventilated Design

Low Noise – 38 dBA at 1400 RPM

Terminations & Shaft End details to suit customer requirement

PRODUCT DATA SHEET

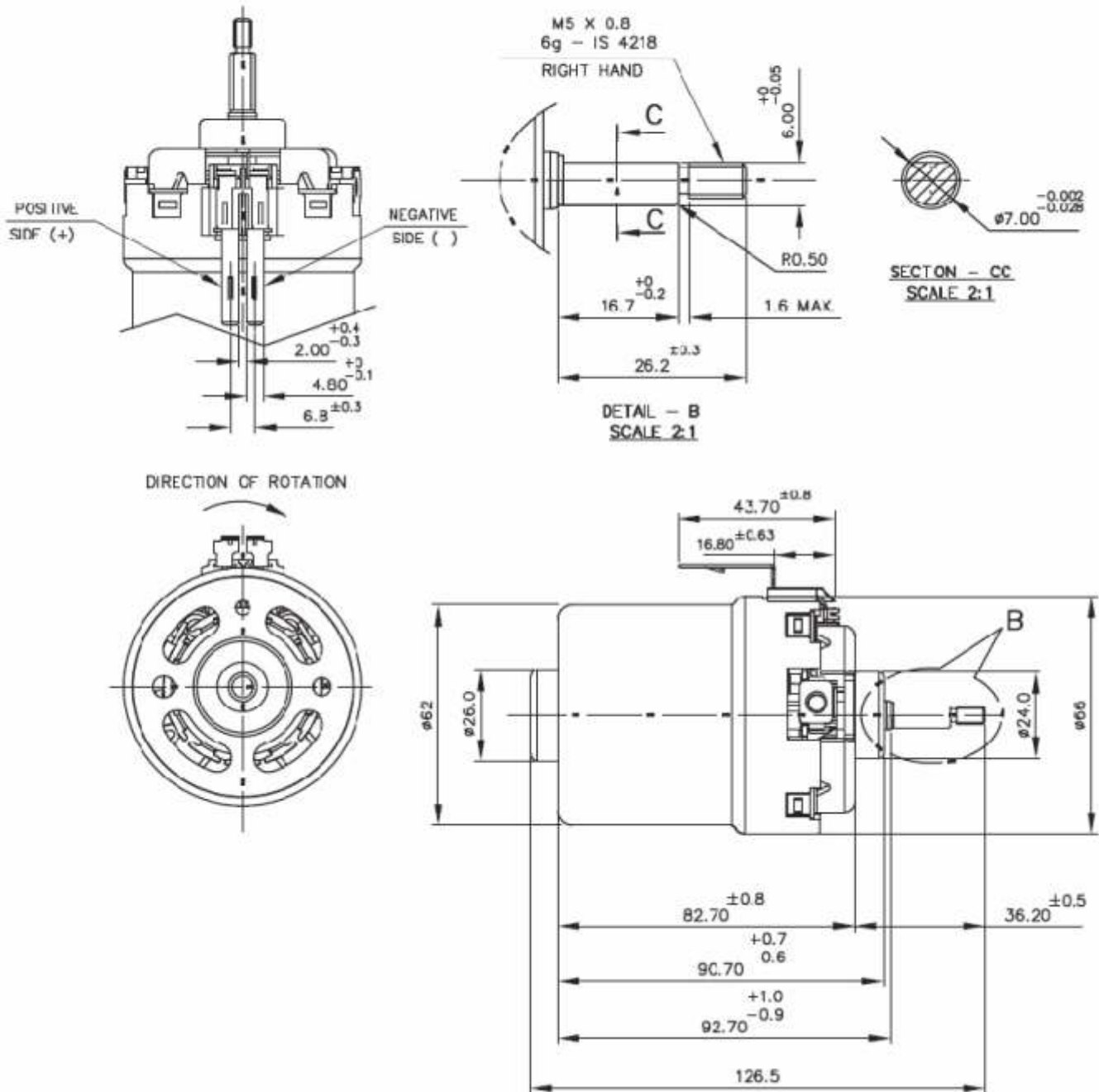


All Dimensions are in mm

Blower Motor Assembly – YDK Design

Type : NAM62

12.0 V



This product can only be used in approved applications and in accordance with maintenance requirements and replacement intervals. This information is available on request.