

MA83 180 13V FAN MOTOR



APPLICATION :

Engine Cooling in Passenger Cars

RATINGS :

Electrical :

System Voltage : 13 Volts

Polarity : Insul Return

Thermal

Operating Temp. Range : -20° C to +110° C

Weight : 1.0 Kg
(Approx.)

CHARACTERISTICS :

Voltage : 13 Volts

Rated Load : 4.1 Kgf. Cm

Speed : 2250 ± 200 RPM

Current : 12.5 ± 1.2 Amps

Rotation : Clock Wise (Viewed from Shaft End)

Features :

4 Pole PMDC Motor with RFI Filters

2 Piece Construction with Deep Drawn Yoke

Ball Bearing at Drive End

Fully Closed Design

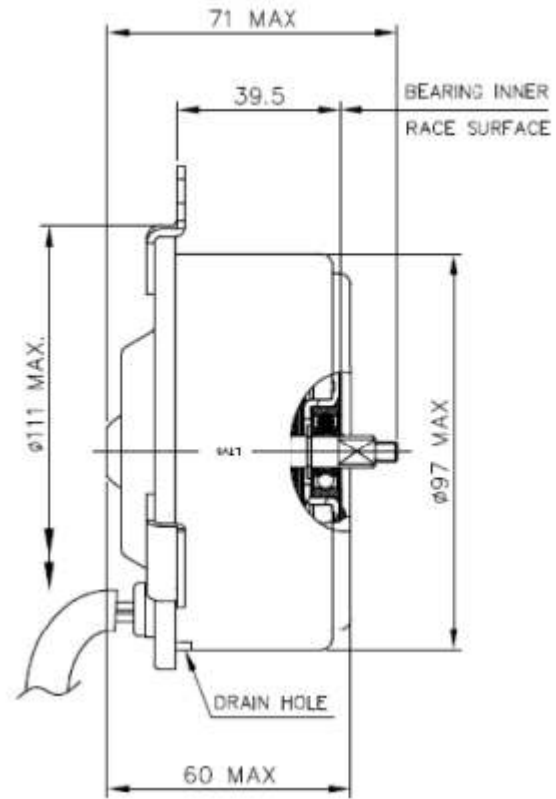
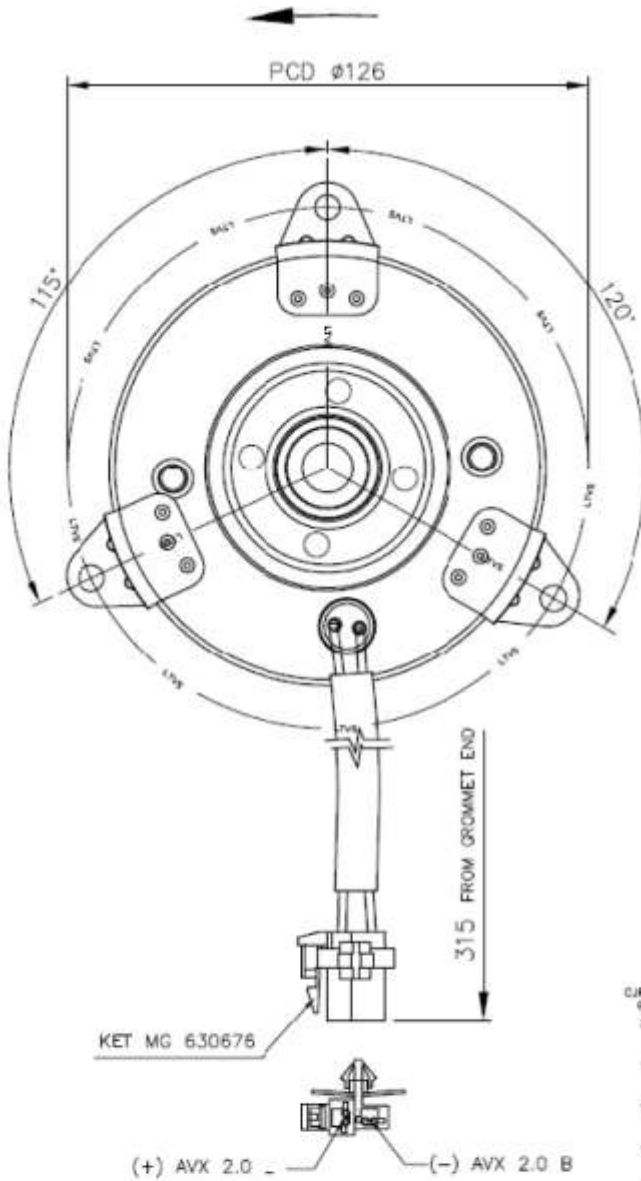
Shaft End profile to suit Fan Design

3 Point Motor Mounting with welded Brackets

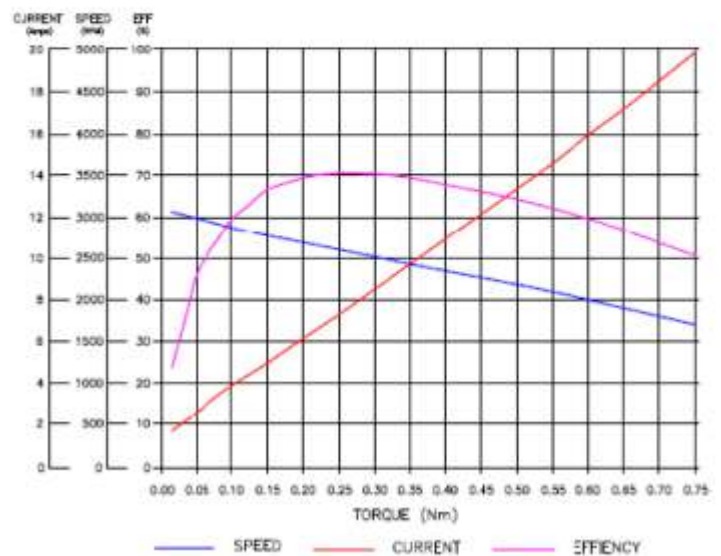
PRODUCT DATA SHEET

MA83 180 13V FAN MOTOR

All Dimensions are in mm



TYPICAL MOTOR PERFORMANCE CURVE AT 13 V



This product can only be used in approved applications and in accordance with maintenance requirements and replacement intervals. This information is available on request.