

MA81 500 13.5V FAN MOTOR



APPLICATION :

Engine Cooling in MUV

RATINGS :

Electrical :

System Voltage : 13.5 Volts

Polarity : Insul Return

Thermal

Operating Temp. Range : -20° C to +110° C

Weight : 2.1 Kg
(Approx.)

CHARACTERISTICS :

Voltage : 13.5 Volts

Rated Load : 9.2 Kgf. Cm

Speed : 3500 ± 150 RPM

Current : 37 Amps Max.

Rotation : Clock Wise (Viewed from Shaft End)

Features :

4 Pole PMDC Motor with RFI Filters

3 Piece Construction with wrapped Yoke

Ball Bearing at Drive End

Partially ventilated Motor

Shaft End profile to suit Fan Design

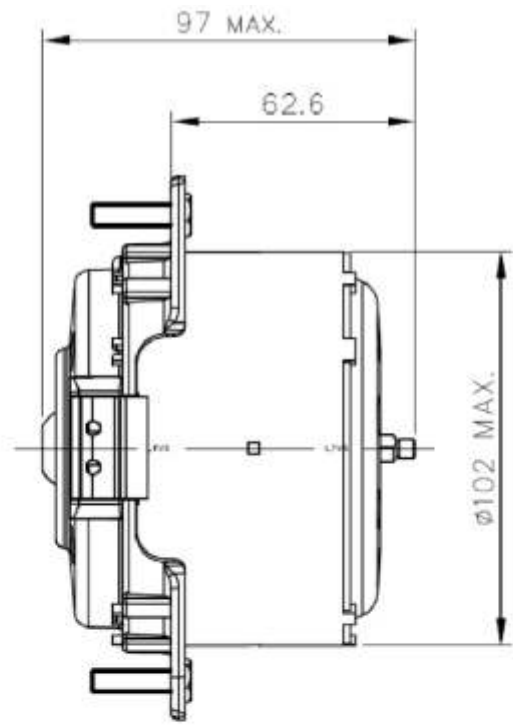
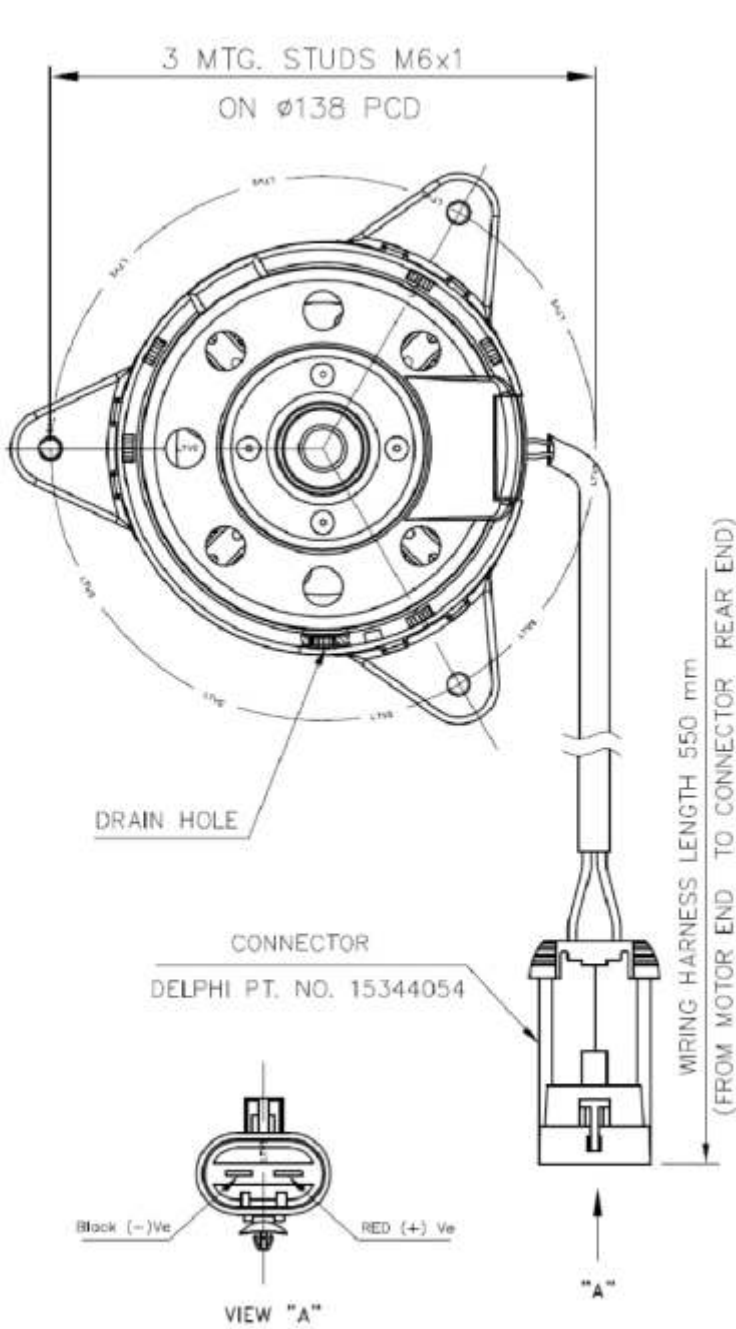
3 Point Stud Mounting

PRODUCT DATA SHEET

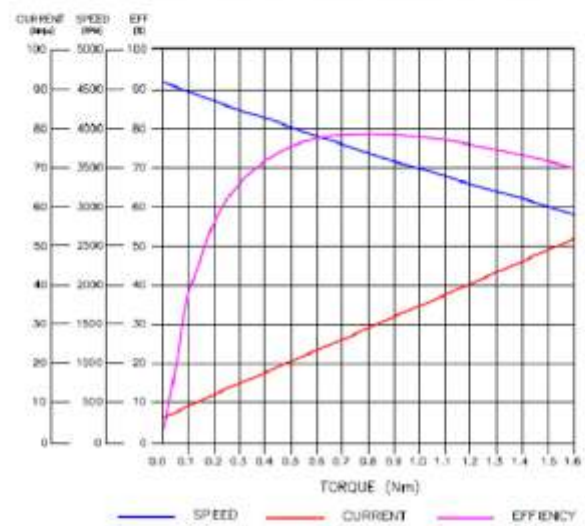


MA81 500 13.5V FAN MOTOR

All Dimensions are in mm



TYPICAL MOTOR PERFORMANCE CURVE AT 13.5 V



This product can only be used in approved applications and in accordance with maintenance requirements and replacement intervals. This information is available on request.