

MA81 325 13V FAN MOTOR



APPLICATION :

Engine Cooling in Passenger Cars

RATINGS :

Electrical :

System Voltage : 13 Volts

Polarity : Insul Return

Thermal

Operating Temp. Range : -20° C to +110° C

Weight : 1.8 Kg
(Approx.)

CHARACTERISTICS :

Voltage : 13 Volts

Rated Load : 8.2 Kgf. Cm

Speed : 2900 ± 150 RPM

Current : 25 Amps Max.

Rotation : Clock Wise (Viewed from Shaft End)

Features :

4 Pole PMDC Motor with RFI Filters

3 Piece Construction with wrapped Yoke

Ball Bearing at Drive End

Partially ventilated Motor

Shaft End profile to suit Fan Design

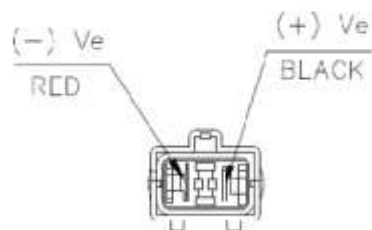
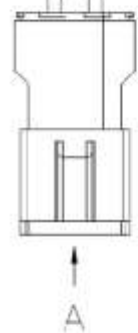
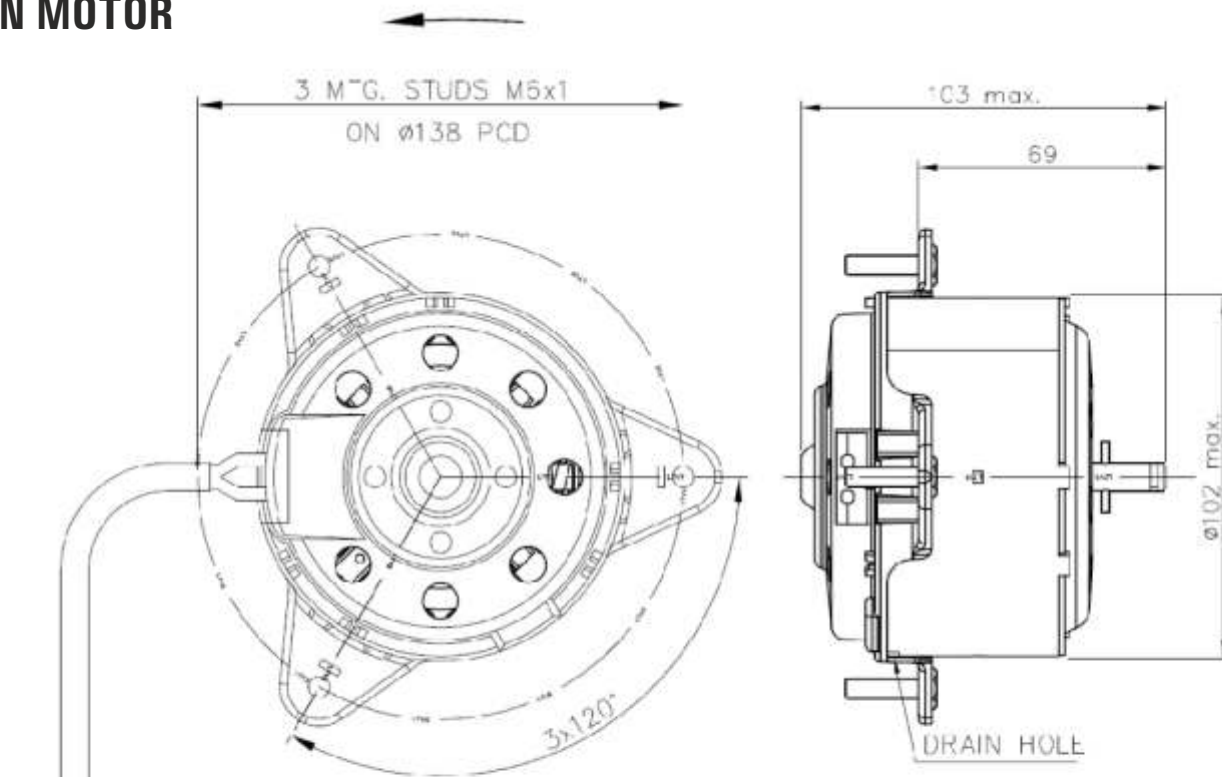
3 Point Stud Mounting

PRODUCT DATA SHEET



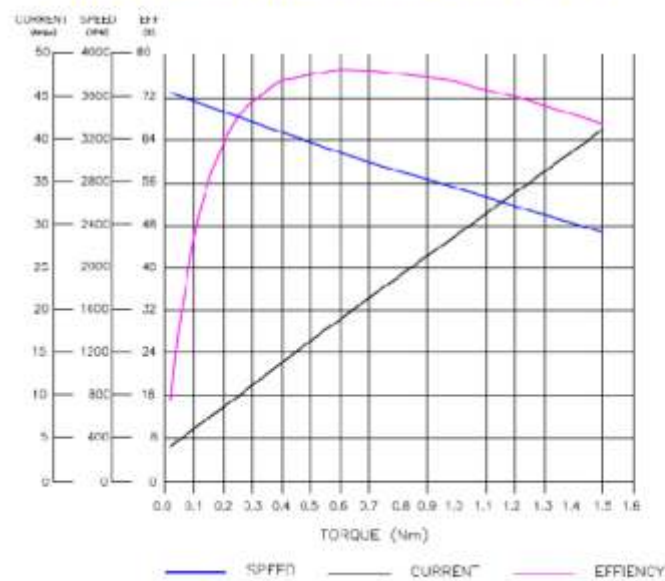
MA81 325 13V FAN MOTOR

All Dimensions are in mm



VIEW-A

TYPICAL MOTOR PERFORMANCE CURVE AT 13 V



This product can only be used in approved applications and in accordance with maintenance requirements and replacement intervals. This information is available on request.