

## FMSA81 280 12V FAN MOTOR & SHROUD ASSEMBLY



### APPLICATION :

Engine Cooling in Passenger Cars

### RATINGS :

#### Electrical :

System Voltage : 12 Volts

Polarity : Insul Return

#### Thermal

Operating Temp. Range : -20° C to +110° C

Weight : 3.3 Kg (Approx.)

### CHARACTERISTICS :

Voltage : 12 Volts

Speed in free air : 2400 ± 150 RPM

Current in free air : 23 Amps Max.

Rotation : Clock Wise (Viewed from Fan End)

Air Flow @ 0 Pa  
(Measured as Fan Motor & Shroud Assy.) : 3550 Cu.M / Hr.

### Features :

4 Pole PMDC Motor with RFI Filters

3 Piece Construction with wrapped yoke

Ball bearing at Drive End

350 Dia Moulded Fan - 8 Blades - PA 66 25GF

Fan type : Puller

Partially ventilated Design

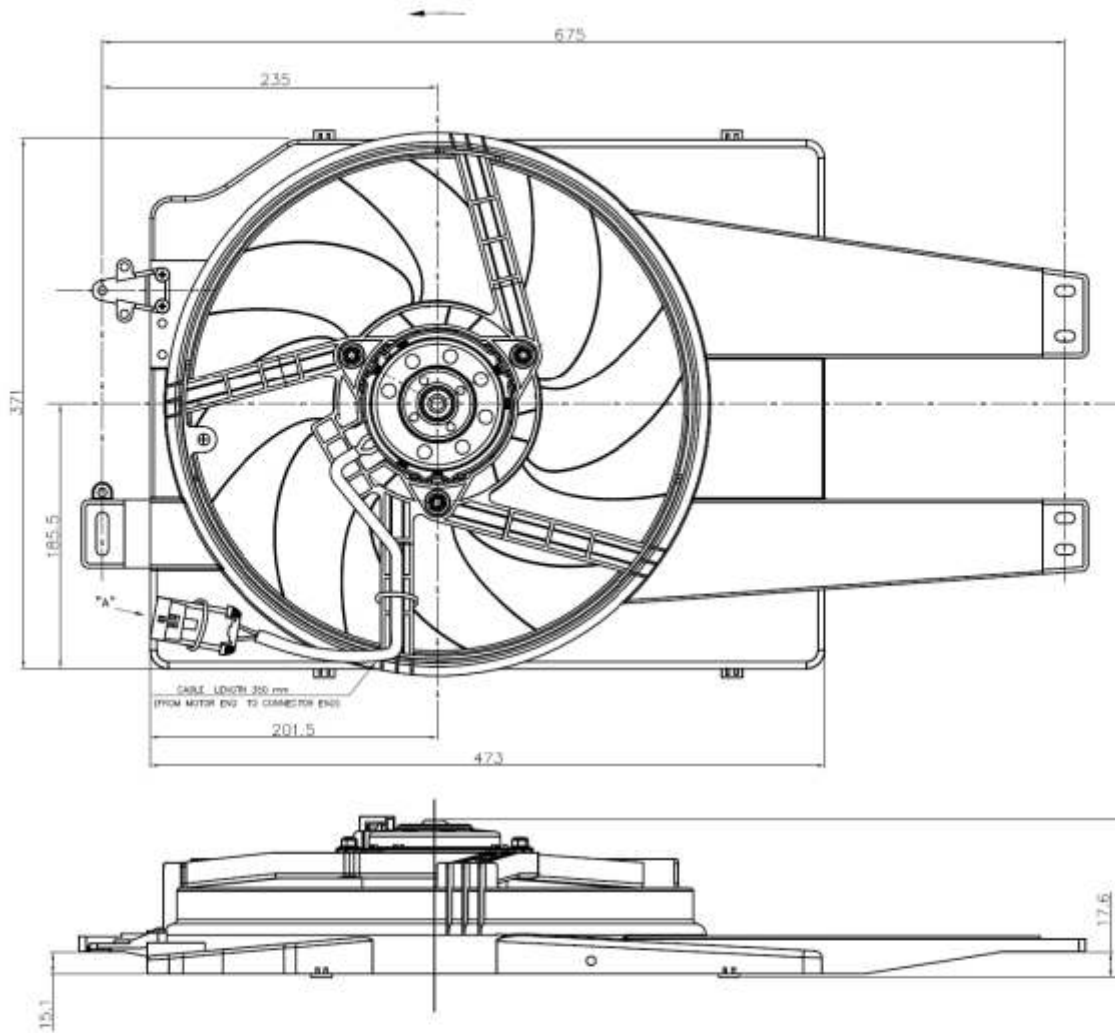
3 Point stud mounting

# PRODUCT DATA SHEET

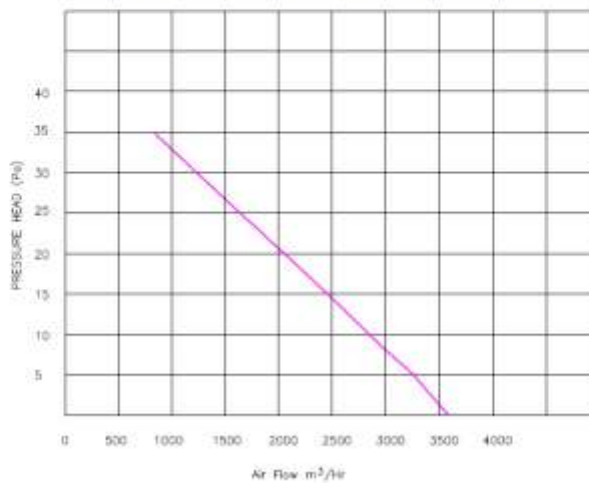


## FMSA81 280 12V FAN MOTOR & SHROUD ASSEMBLY

All Dimensions are in mm



TYPICAL AIRFLOW PERFORMANCE CURVES AT 12 V



This product can only be used in approved applications and in accordance with maintenance requirements and replacement intervals. This information is available on request.