

FMA81 390 13.5v FAN MOTOR ASSEMBLY



APPLICATION :

Engine Cooling in MUV

RATINGS :

Electrical :

System Voltage : 13.5 Volts

Polarity : Insul Return

Thermal

Operating Temp. Range : -20° C to +110° C

Weight : 2.1 Kg (Approx.)

CHARACTERISTICS :

Voltage : 13.5 Volts

Speed in free air : 3500 ± 150 RPM

Current in free air : 29 Amps Max.

Rotation : Clock Wise (Viewed from Fan End)

Air Flow @ 0 Pa (Measured as Fan Motor & Shroud Assy.) : 2850 Cu.M / Hr.

Features :

4 Pole PMDC Motor with RFI Filters

3 Piece Construction with wrapped yoke

Ball bearing at Drive End

Moulded Fan - 6 Blades - PA 66 25GF

Fan type : Puller

Partially ventilated Design

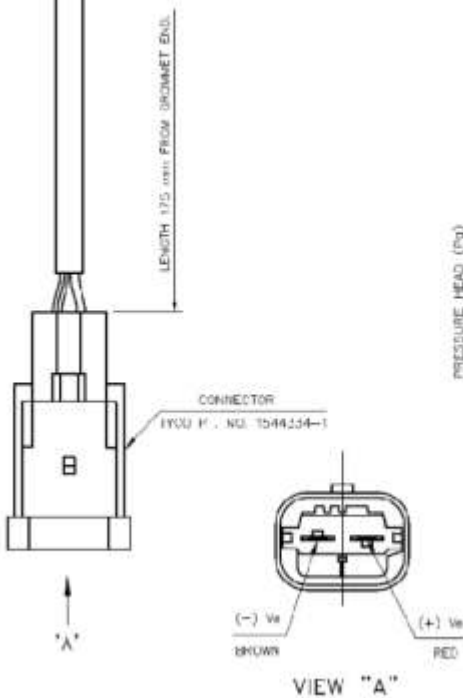
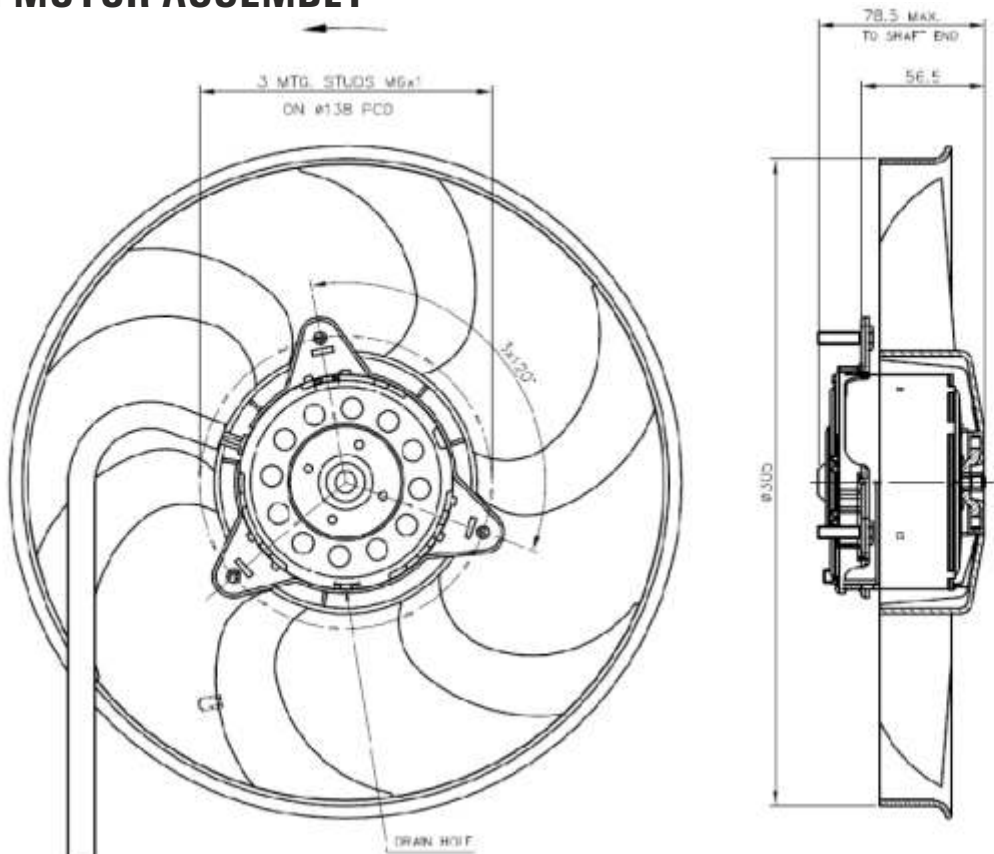
3 Point stud mounting

Dimensions : Principal dimensions are given overleaf. Detailed drawings are available on request

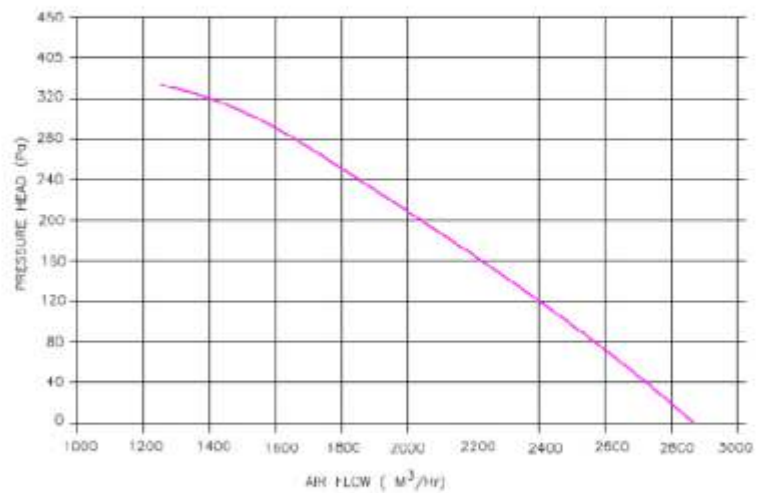
PRODUCT DATA SHEET

FMA81 390 13.5v FAN MOTOR ASSEMBLY

All Dimensions are in mm



TYPICAL AIRFLOW PERFORMANCE CURVE AT 13.5 V



This product can only be used in approved applications and in accordance with maintenance requirements and replacement intervals. This information is available on request.