

Blower Motor Type : AM60 12V



APPLICATION

Designed for circulation of air in the passenger seating area for use on Light Commercial Vehicles/Cars

RATINGS

Electrical

System Voltage: 12V

Polarity : Insul Return

CHARACTERISTICS

Electrical

Voltage : 13.5V

Current : 12.5 Amps

Operating Speed 2700 RPM

Rotation: Clockwise Rotation
from Impeller end

Thermal

Operating

temp. range : - 20°C to +90°C

Weight: 1 Kg. (approx.)

Dimensions: Principal Dimensions are given overleaf. Detailed drawings are available on request.

FEATURES

– Impeller is axial suction, circumferential delivery, clockwise rotation viewed from Impeller end

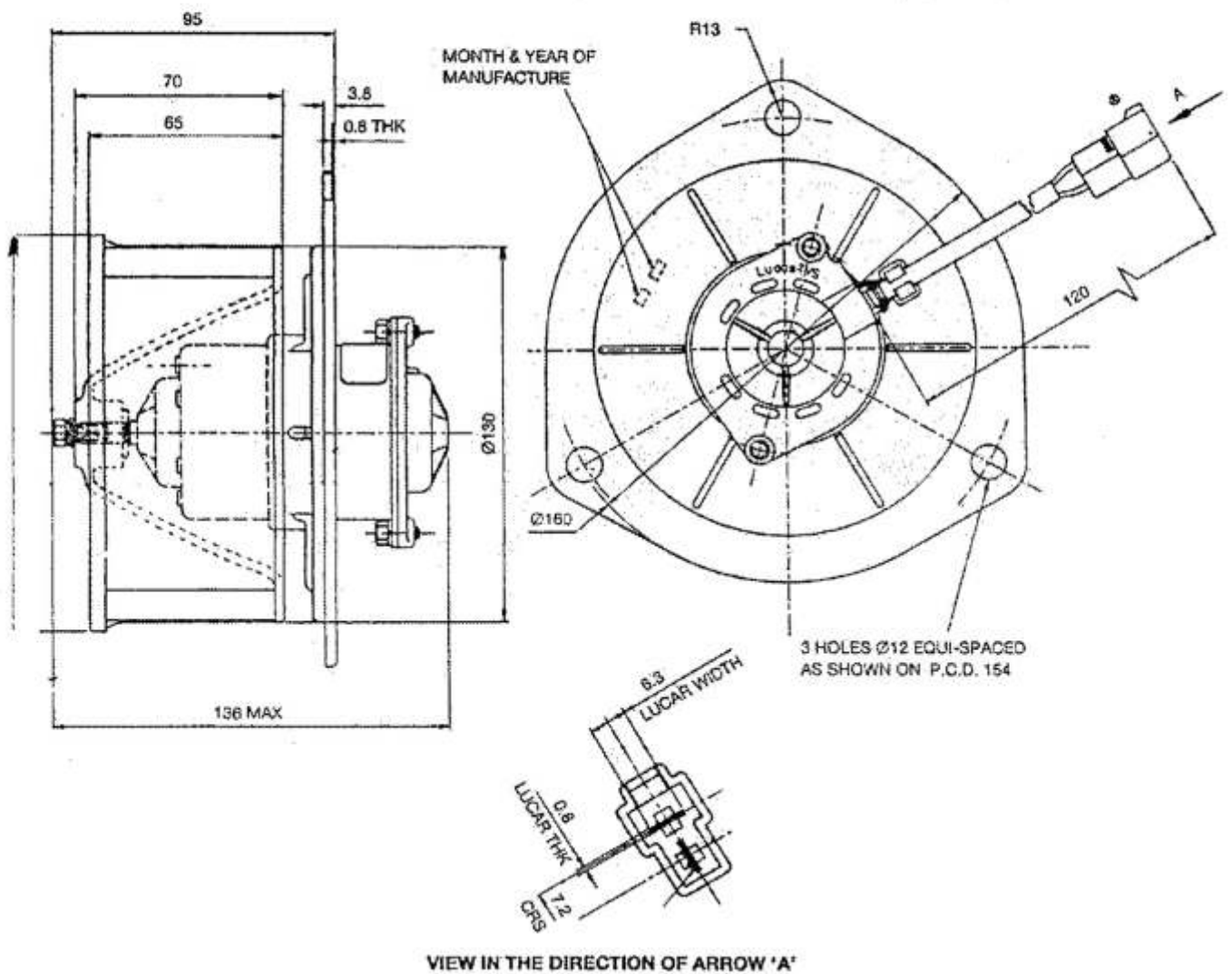
MOUNTING

Three point location

PRODUCT DATA SHEET

All Dimensions are in mm

Blower Motor Type : AM60 12V



This product can only be used in approved applications and in accordance with maintenance requirements and replacement intervals. This information is available on request.