

Wiper Motor
Type : 7SW60
12V - 13.0 N.m. @ 13.5V



APPLICATION :

Designed for Wind shield wiping on cars

RATINGS :

Electrical :

System Voltage : 12 Volts
Polarity : Negative earth

Thermal :

Operating ambient temperature range :
- 20°C to 90°C

CHARACTERISTICS:

Electrical :

Typical light running current (wet screen) :
2.5 Amps. (Normal speed)
3.5 Amps. (High Speed)

Mechanical :

Rated torque (cold)
At output gear :
23 Nm. at 13.5 Volts.

Operating speed (nominal);
Normal speed 45 wipes / minute
High speed 65 wipes / minute

Direction of rotation :

Clock (viewed from Rotary link)

Weight : 1.5 Kg. (approx.)

Principal dimensions given overleaf. Fully detailed drawing available on request.

Features :

- Z Single / Two speed motor output
- Z Snap-on brush gear assembly.
- Z Adhesive fixed high energy magnets
- Z Radio Interference suppression by LC filter.
- Z Thermal protector provided to prevent armature burning under motor locked condition.
- Z Tubular connecting rods with moulded plastic bearings.

MOUNTING :

Three point stud fixing from gear box base with 50.8 mm. P.C.D.

Life :

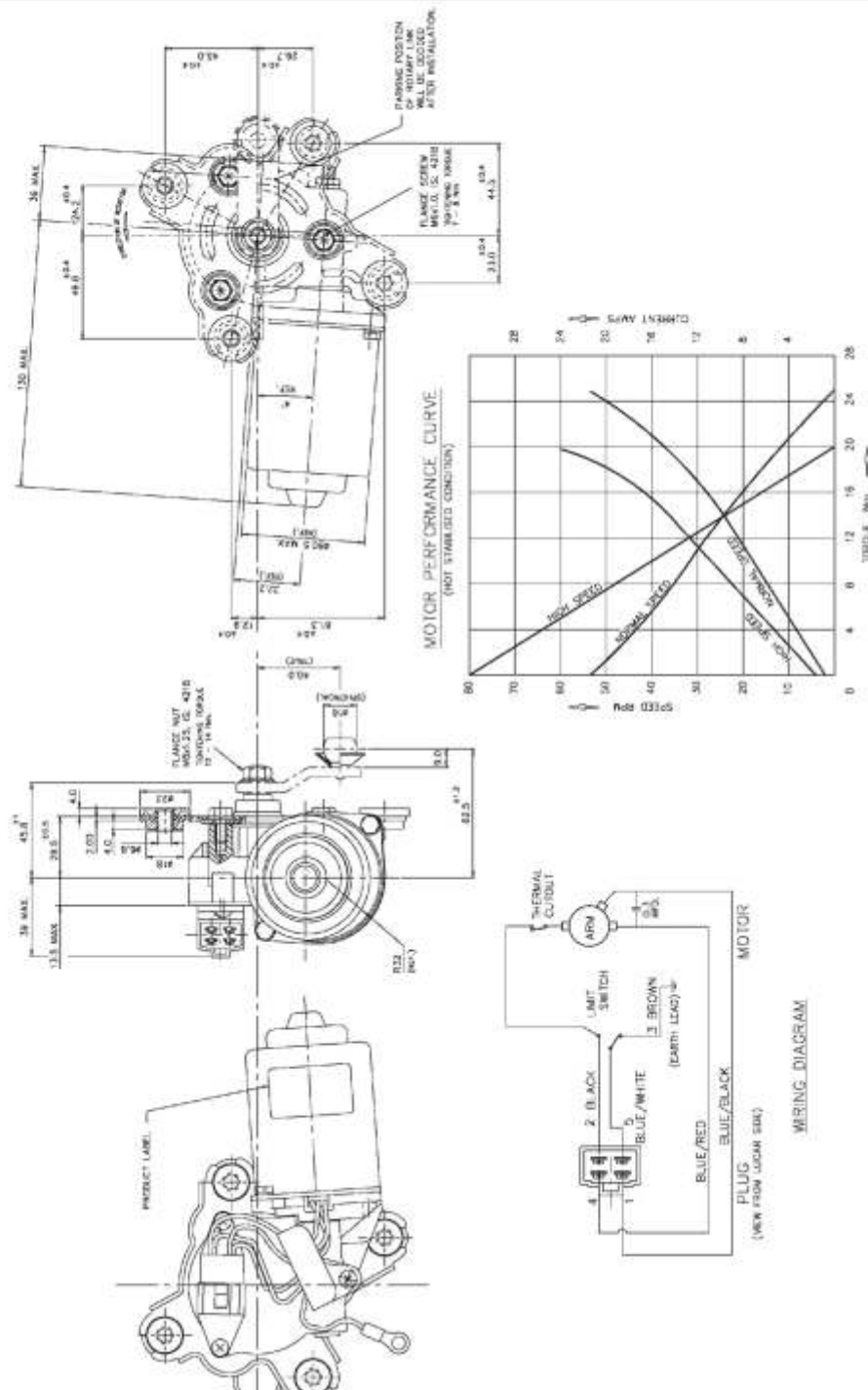
Continuously rated for 500 hrs. (1.5 million operations)

PRODUCT DATA SHEET



All Dimensions are in mm

Wiper Motor
Type : 7SW60
12V - 13.0 N.m. @ 13.5V



This product can only be used in approved applications and in accordance with maintenance requirements and replacement intervals. This information is available on request.