

Starter Motor
Type : 7M14
24V - 4.5 Kw



APPLICATION:

Pre-engaged Starter Motor designed for Commercial Vehicles powered by Diesel Engines upto 8 Litres capacity.

RATINGS :

Electrical

System Voltage : 24 Volts
Polarity : Negative Earth/Insul

Mechanical:

Rotation : Clockwise (viewed from Drive end)

Thermal:

Operating Temperature range:
-5°C to +93°C For operations down to -5°C. Consult Lucas-TVS for recommendations on Battery capacity and cold starting aids.

CHARACTERISTICS:

Performance data at +20°C
For full test conditions under which the following typical power, Lock Torque and Run Torque values apply with a fully charged Battery.

Power Output : 4.5Kw.
Lock Torque : 5.1kg.m. (min.) at 12 Volts and Current 1000 Amps. (max.)
Run Torque : 2.5 Kg.m. at 18.0 Volts and Current 570 Amps. (max.) at 1600 RPM (min.)

Refer performance curve overleaf.

Weight : 16 Kg. (approx.)

Dimensions : Principal dimensions are given overleaf. Fully detailed drawing available on request.

FEATURES:

Fixing

Flange mounted to flywheel housing. Spigot diameter location, with three fixing holes on a pitch circle dia to suit the installation.

Pinion:

Heavy duty Roller clutch Drive assembly with various pinion forms to suit, wide range of applications.

Enclosures:

Externally protected against water and oil entry.

Terminations:

Earth Terminal : M10 x 1.5
Main Terminal : M10 x 1.5
Solenoid Terminal : M6 x 1.0

Note:

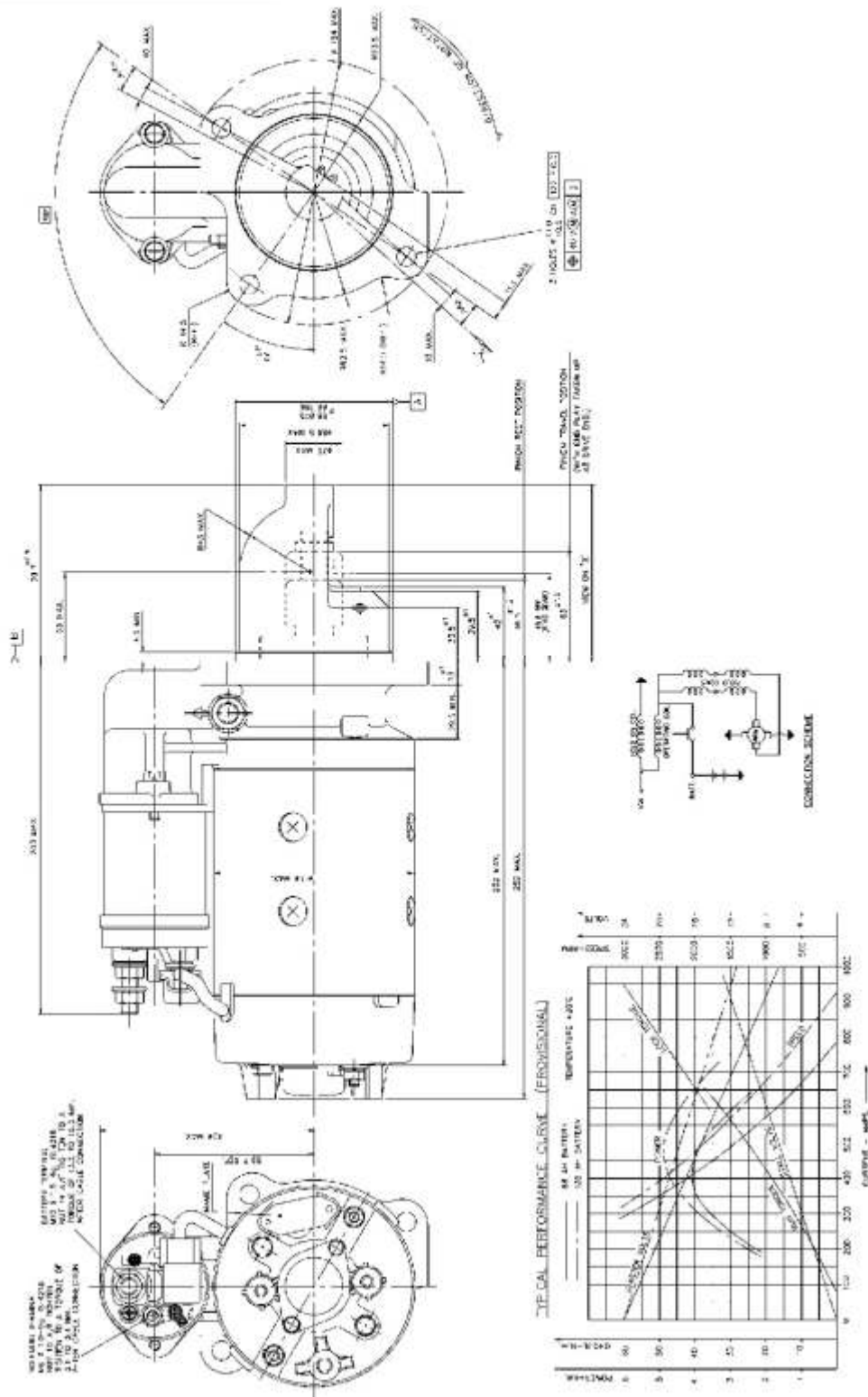
Starter should be used with a Lucas-TVS 406 Switch.

PRODUCT DATA SHEET



Starter Motor
Type : 7M14
24V - 4.5 Kw

All Dimensions are in mm



This product can only be used in approved applications and in accordance with maintenance requirements and replacement intervals. This information is available on request.