



Electronic Ignition Coil with Ignitor Type : 7C12 12V



APPLICATIONS:

7C12 Electronic Ignition Coil black finish with polyester resin, blue colour cap designed for petrol engines upto 1000 cc only for 4 Cylinder Engines with appropriate distributor.

RANGES

Electrical

System Voltage : 12 V

Thermal

Operating Temperature range
• -30° C to + 80° C -5V to 16V
□ -30C to + 100°C -5V to 14V

CHARACTERISTICS

Dimension

Principal Dimensions are indicated overleaf

Weight

700 gms (approx)

FEATURES

- Lesser weight and compact size.
- Higher output
- Without Ballast Resistor
- A cable assembly provided in the polyester resin cap for easy locking and to prevent wrong connection.

MOUNTING

The coil is provided with a standard omega shaped mounting saddle
Note. Alternative mounting arrangement can be provided on request.

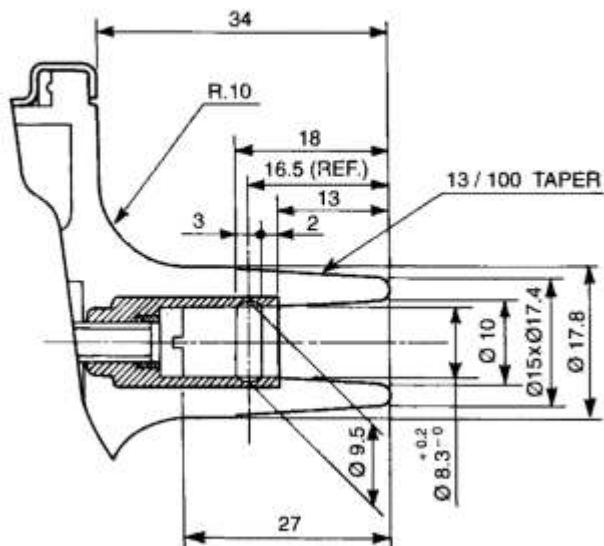
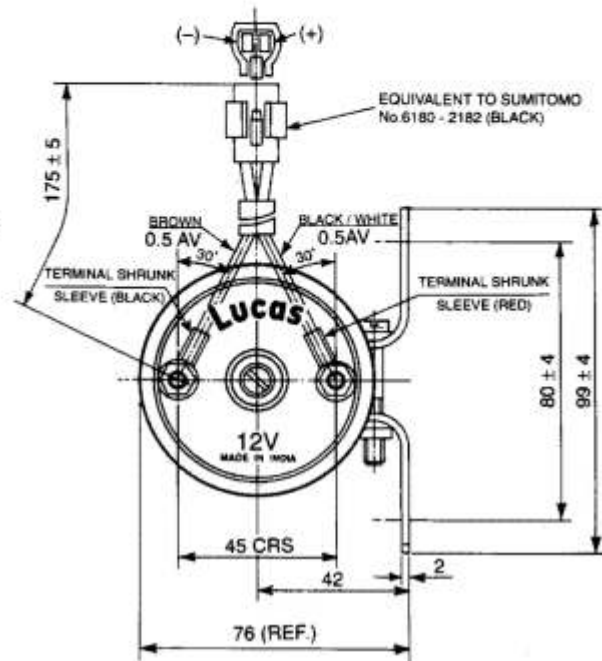
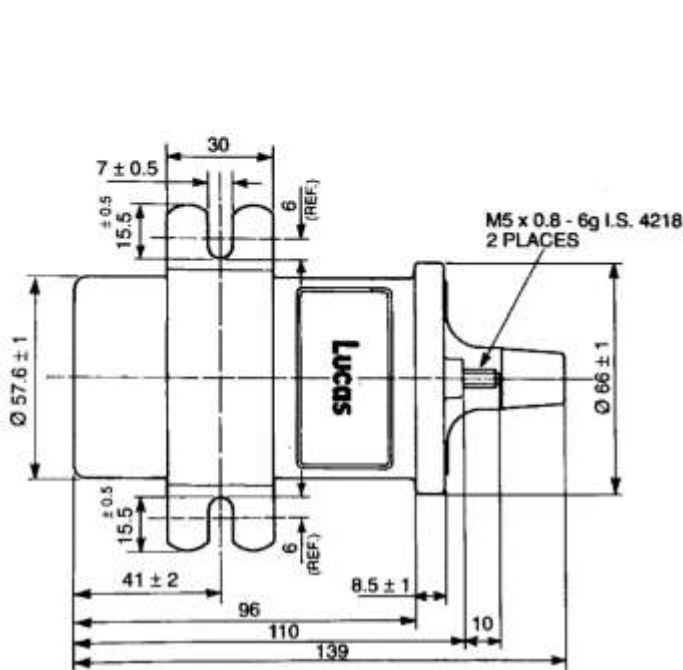
TERMINATIONS

C.T. M5 x 0.8 Terminals H.T. -Standard push in connector - details as indicated

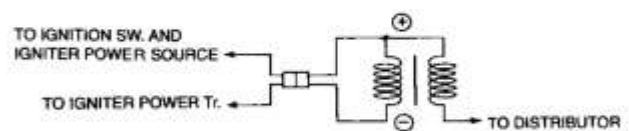
PRODUCT DATA SHEET

All Dimensions are in mm

Electronic Ignition Coil with Ignitor Type : 7C12 12V



H. T. TERMINAL SECTIONAL VIEW



CONNECTING DIAGRAM

This product can only be used in approved applications and in accordance with maintenance requirements and replacement intervals. This information is available on request.