

## Type : 6M14 12V Starter Motor



### APPLICATION:

Pre-engaged Starter Motor designed for Light Commercial Vehicles and Tractors powered by diesel engines of upto 4.5 litres capacity.

### RATING:

#### **Electrical :**

System Voltage : 12 Volts  
Polarity : Negative earth

#### **Mechanical:**

Rotation : Clock-wise (viewed from Drive end)

#### **Thermal:**

Operating temperature range : -5°C to +93°C For operations down to -10°C. Consult Lucas-TVS for recommendations on battery capacity and cold starting aids.

### CHARACTERISTICS:

Performance data at +20 degree C.

#### **Mechanical**

For full load conditions under which the following Typical power, Lock torque, Run torque values with a fully charged battery 88 AH.

Power Output (Typical): 2.0 KW

Lock Torque : 3.0 kg.m min. at 5.6 volts and current 850 Amps max.

Run Torque : 0.6 kg.m. at 9.8 volts, current 300 Amps max. and speed 2300 RPM min.

Refer performance curve overleaf.

Weight : 10kg. (approx.)

Dimensions:

Principal dimensions are given overleaf. Fully detailed drawing available on request.

#### **Fixing:**

Flange mounted to fly wheel housing spigot location diameter and three fixing holes, on a pitch circle dia to suit the installation.

#### **Pinion:**

Various pinion forms are available to suit wide range of applications.

Enclosures: Externally protected against water and oil entry.

### TERMINATIONS:

#### **Stud Terminations**

Earth Terminal : M8 x 1.25 Steel

Main Terminal : M8 x 1.25 Steel

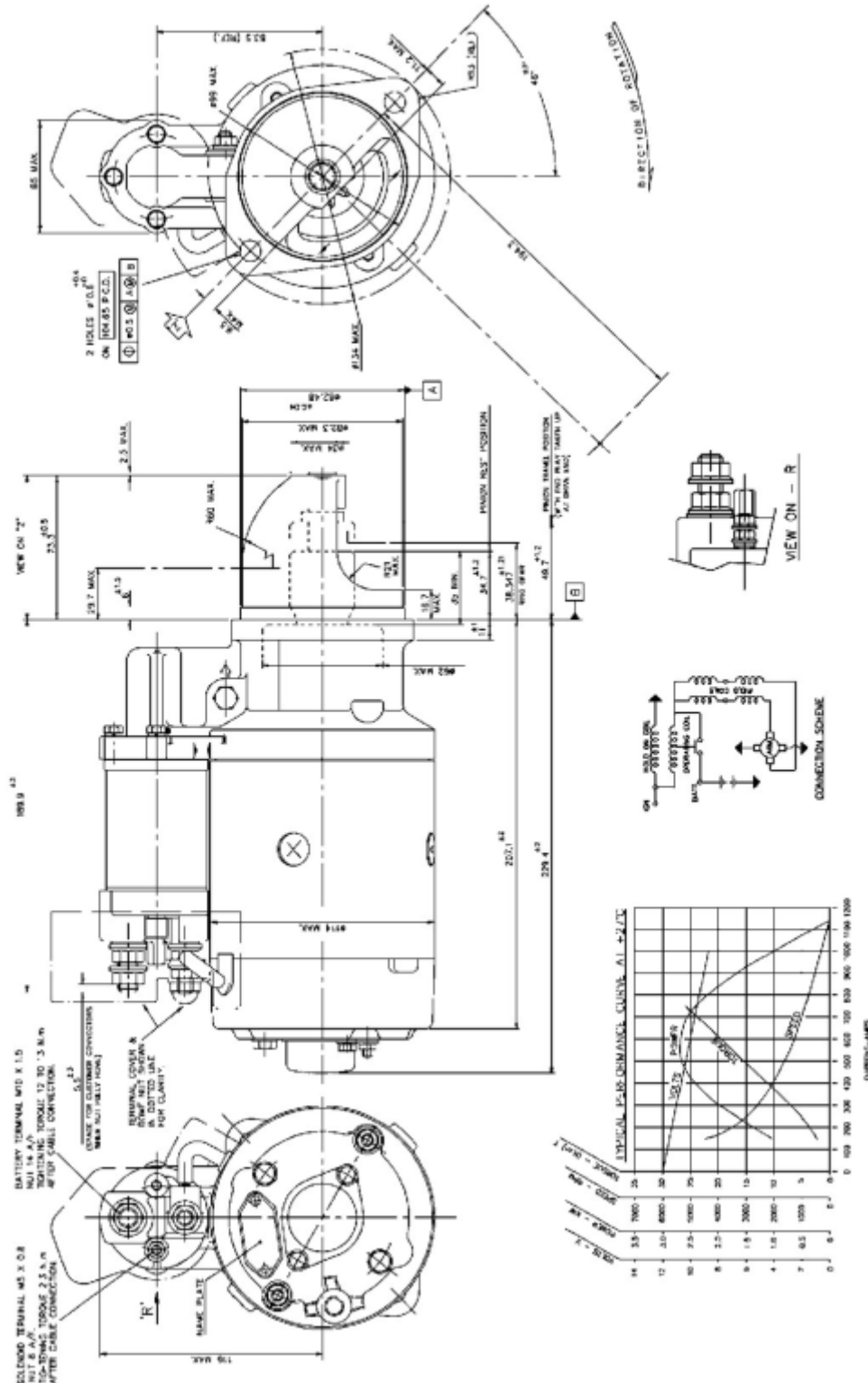
Solenoid Terminal : M5 x 0.8 Steel

# PRODUCT DATA SHEET



Type : 6M14 12V  
Starter Motor

All Dimensions are in mm



This product can only be used in approved applications and in accordance with maintenance requirements and replacement intervals. This information is available on request.