



Distributor Type : 45D4 12V



APPLICATION

For 4 Cylinder Engines

RATINGS

Electrical

Polarity : Negative or positive earth.

Contact rating : Suitable for ignition coil with stall currents upto 5 Amps

Mechanical

Rotation : Anti clock or clock (viewed from drive end) to suit application.

Maximum speed : 9000 engine r/min.

Thermal

Operating ambient temperature range : - 30°C to + 100°C

CHARACTERISTICS

Electrical

Insulation resistance : 25 mega ohms min. (Contacts fully open)

Capacitor Value : 0.18[F to 0.25[F

Mechanical

Automatic spark timing control Degree and rate of spark advance is arranged to suit engine requirements.

Vacuum

Single acting range to suit engine requirements.

Contact breaker gap setting: 0.36 mm to 0.48 mm (0.014" to 0.018") measured with heel on camlobe rest.

Firing angel	: 90° + 1°
Dwell angle	: 52° + 5°
Weight	: 0.875 kg.
Dimensions	: Principal dimensions given overleaf. Fully detailed drawing available on request.

FEATURES

Contact Breaker:

Sliding contact breaker arrangement wipes moving contact over face of fixed one, significantly reducing pitting and Piling. Thus providing an improvement in timing stability and longer service intervals.

Mounting:

Preferred altitude is within 60 degree of vertical.

Maintenance

Point setting at 20,000 Km. with replacement at 40,000 Km.

Fixing

To suit customer requirement.

Terminations :

Lucar termination with 6.3 x 0.8

Drive

Helical gear to suit the engine.

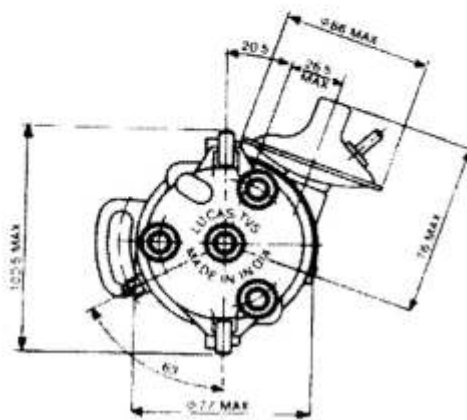
Precautions.

When used with Ballasted ignition coil, this Distributor should not be operated either Ballast shorted externally or eliminating the Ballast from the circuit except while cranking.

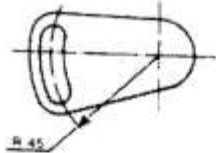
PRODUCT DATA SHEET

All Dimensions are in mm

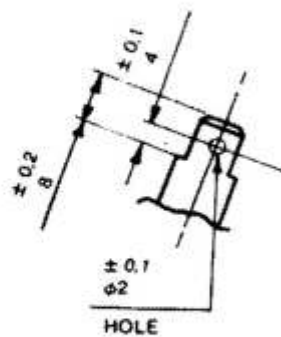
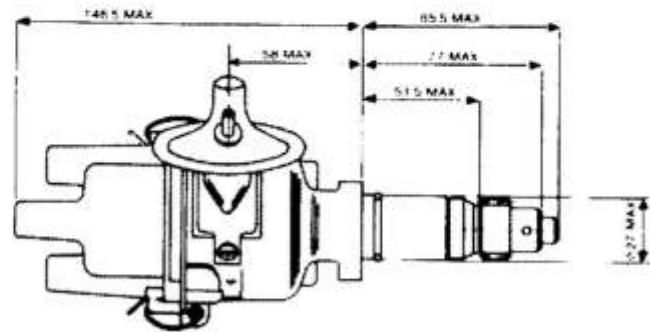
Distributor
Type : 45D4
12V



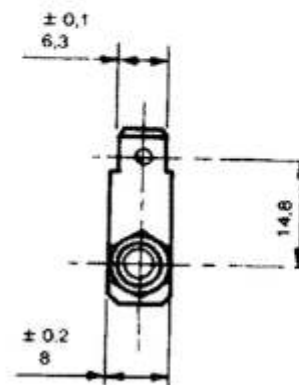
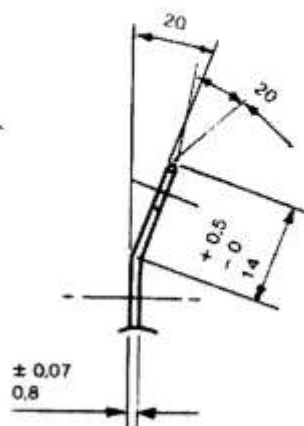
TYPICAL MOUNTING FLANGES



DISTRIBUTOR MODEL 45 D3



HOLE



LUCAS DETAILS

This product can only be used in approved applications and in accordance with maintenance requirements and replacement intervals. This information is available on request.