



Distributor Type : 45D3 12V



APPLICATION

For 3 Cylinder engines.

RATINGS

Electrical

- Polarity : Negative or Positive earth.
- Contact rating : Suitable for ignition coil with stall currents upto 5 Amps.

Mechanical

- Rotation : Anti clock viewed from drive-end.
- Maximum speed : 9000 engine r/min.

Thermal

- Operating ambient temperature range : -30°C to +100°C

CHARACTERISTICS

Electrical

- Insulation resistance : 25 megaohms. min. (Contacts fully open)
- Capacitor value : 0.18µF to 0.25µF

Mechanical

- Automatic spark timing control.
- Degree and rate of spark advance is arranged to suit engine requirements.

Vacuum

- Single acting range to suit engine requirement.
- Contact breaker gap setting : 0.38 mm to 0.46 mm (0.015 to 0.018") measured with heel on cam lobe rest.

- Firing angle : 120° ± 1°
- Dwell Angle : 61° ± 5°
- Weight : 0.75 Kg.
- Dimensions : Principal dimensions given overleaf. Fully detailed drawing available on request.

FEATURES

Contact breaker:

Sliding contact breaker arrangement wipes moving contact over face of fixed one, significantly reducing pitting and Piling. Thus providing an improvement in timing stability and longer service intervals.

Mounting :

Preferred attitude is within 60° of vertical.

Maintenance

Point setting at 20,000 km. with replacement at 40,000 Km.

Fixing

Integral Lug with kidney slot.

Termination

Lucar Termination with 6.3 x 0.8 thk, Lucar blade.

Drive

Helical gear to suit the engine.

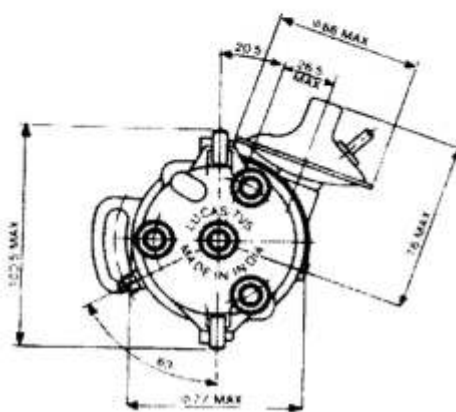
Precautions

When used with Ballasted ignition coil, this distributor should not be operated either with Ballast shorted externally or eliminating the Ballast from the circuit.

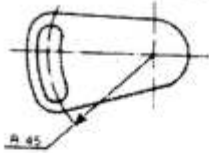
PRODUCT DATA SHEET

All Dimensions are in mm

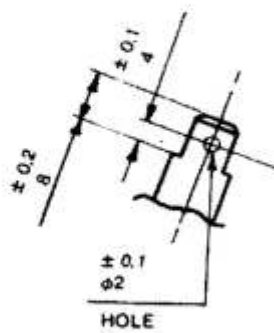
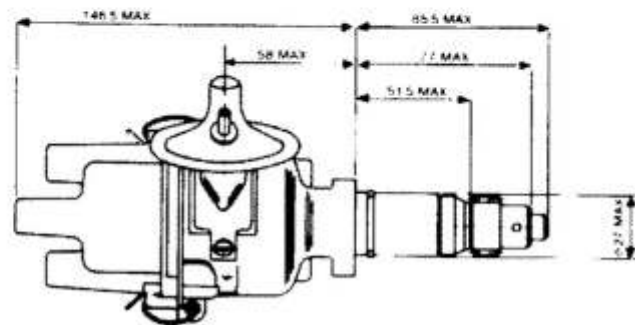
Distributor
Type : 45D3
12V



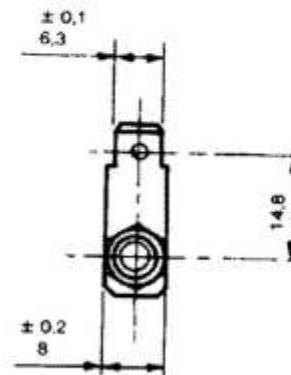
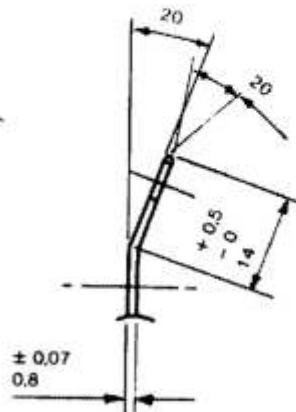
TYPICAL MOUNTING FLANGES



DISTRIBUTOR MODEL 45 D3



HOLE



LUCAR DETAILS

This product can only be used in approved applications and in accordance with maintenance requirements and replacement intervals. This information is available on request.