

Starter Motor Type : 3SM127 12V - 2.8 Kw



APPLICATION:

Pre-engaged starter motor designed for heavy duty commercial vehicles (buses and trucks) powered by diesel engines of upto 6 litres capacity

RATING :

Electrical :

System Voltage : 12 Volts
Polarity : Negative Earth

Mechanical :

Rotation : Clock wise (viewed from drive end)

Thermal :

Operating temperature range : -5°C to +90°C For operations ddown to -20oC Consult L-TVS for recommendations on battery capacity and cold starting aids.

CHARACTERISTICS :

Performance data at +20°C

Mechanical

For full load conditions under which the following minimum power, Lock torque, run torque values apply. Refer performance curve overleaf. Power output (Nominal) with a fully charged battery 180 AH : 2.7 KW
Lock Torque : 43 Nm. min. at 5.2 volts and current 1100 Amps. max. Run Torque : 20

Nm. at 8 volts, current 670 Amps. max. and speed 850 Rpm min.

Weight 14 kg. (approximately).

Dimensions : Principal dimensions are given overleaf. Fully detailed drawing available on request.

Fixing : Flange-mounted to flywheel housing. Spigot location dia, and Three fixing holes on a pitch circle dia, to suit the installation.

Pinion : Various Pinion forms are available to suit wide range of applications.

Enclosures : Externally protected against water and oil entry.

TERMINATIONS:

Stud Terminations:

Earth Terminal : M10 x 1.5

Main Terminal : M 10 x 1.5

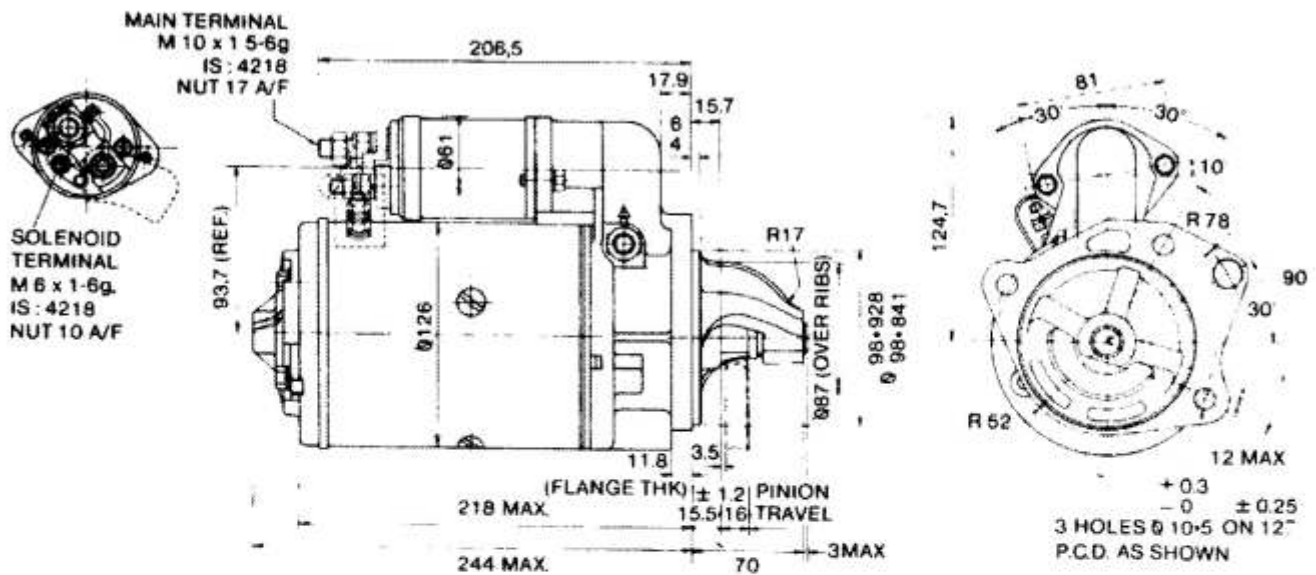
Solenoid Terminal : M6 x1

PRODUCT DATA SHEET



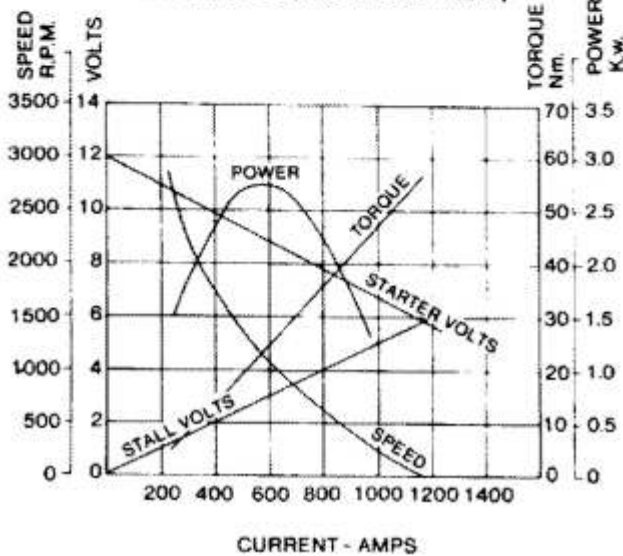
All Dimensions are in mm

Starter Motor Type : 3SM127 12V - 2.8 Kw

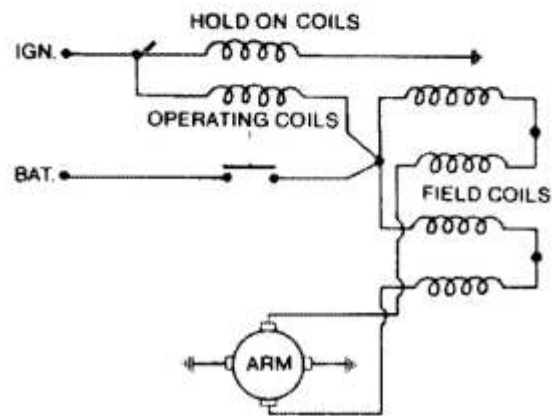


TYPICAL PERFORMANCE CURVE

CABLE RESISTANCE .001 ~ TEMP. +20°C
DISCHARGE (180 AH BATTERY)



CONNECTION SCHEME



This product can only be used in approved applications and in accordance with maintenance requirements and replacement intervals. This information is available on request.