

## Type : 2M14 12V Starter Motor



### APPLICATION:

Pre-engaged starter motor designed for light commercial vehicles, powered by diesel engines of upto 2.0 litres capacity.

### RATINGS :

#### **Electrical:**

Voltage : 12 Volts  
System : Earth Return

#### **Mechanical:**

Rotation : Clockwise (Viewed from Drive end)

Temperature Range : Operating temperature range -5oC to +90oC for operations down to -20oC Consult Lucas-TVS for recommendations on battery capacity and cold cranking aids.

### CHARACTERISTICS:

Performance data at + 20°C.

#### **Mechanical:**

For full load conditions under which the following minimum power, lock torque, and run torque values apply. Refer Performance Curve overleaf. Power output (Nominal) with a fully charged battery N50Z

Lock torque: 19.00 Nm. Min. at 5.4 volts and current 780 Amps. Max.

Run torque : 7.0 Nm. Min. At 9.0 volts current 350 Amps. max. and speed 2050 RPM min.

Weight : 9 kg. (approx.)  
Dimensions : Principal dimensions are given overleaf. Detailed drawing available on request.

**Fixing** : Flange mounted to fly wheel having with three fixing holes on a pitch circle dia to suit installation.

**Pinion** : Various pinion forms are available to suit wide range of application.

**Enclosures** : Externally protected against water and oil entry.

### TERMINATIONS:

#### **Stud Terminations:**

Earth Terminal : M8 x 1.25  
Main Terminal : M8 x 1.25  
Solenoid Terminal : M5 x 0.8

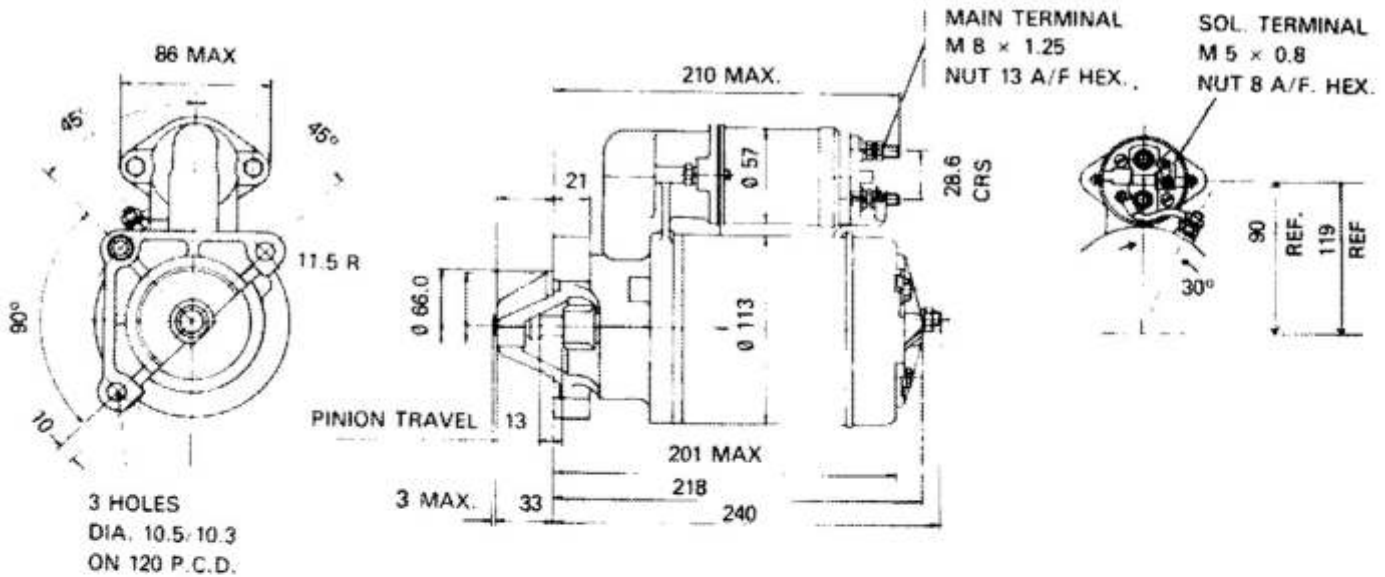
# PRODUCT DATA SHEET



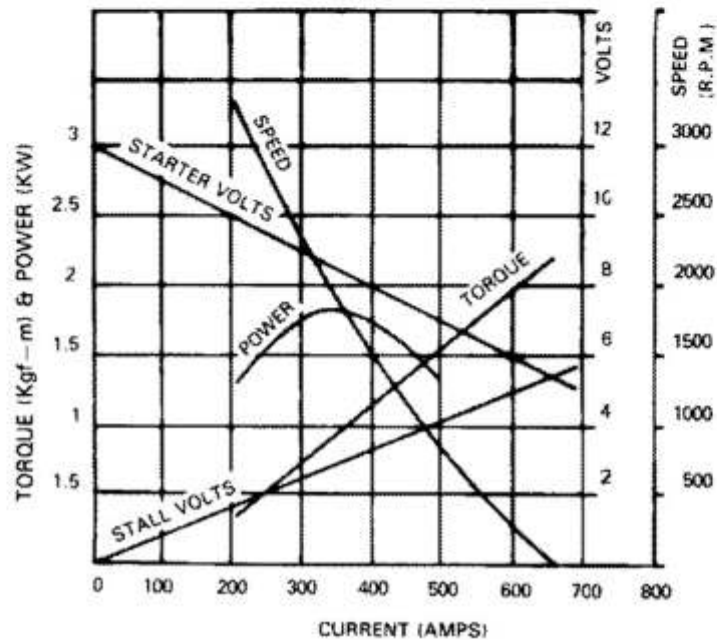
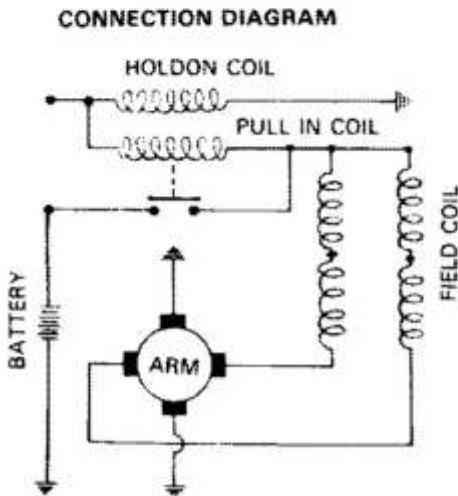
Type : 2M14 12V  
Starter Motor

All Dimensions are in mm

DIMENSIONS ARE IN MILLIMETERS  
AND ARE NOMINAL  
UNLESS OTHERWISE STATED



TYPICAL PERFORMANCE CURVE WITH  
FULLY CHARGED N 50Z BATTERY  
AT + 20°C AND 001Ω CABLE RESISTANCE



This product can only be used in approved applications and in accordance with maintenance requirements and replacement intervals. This information is available on request.