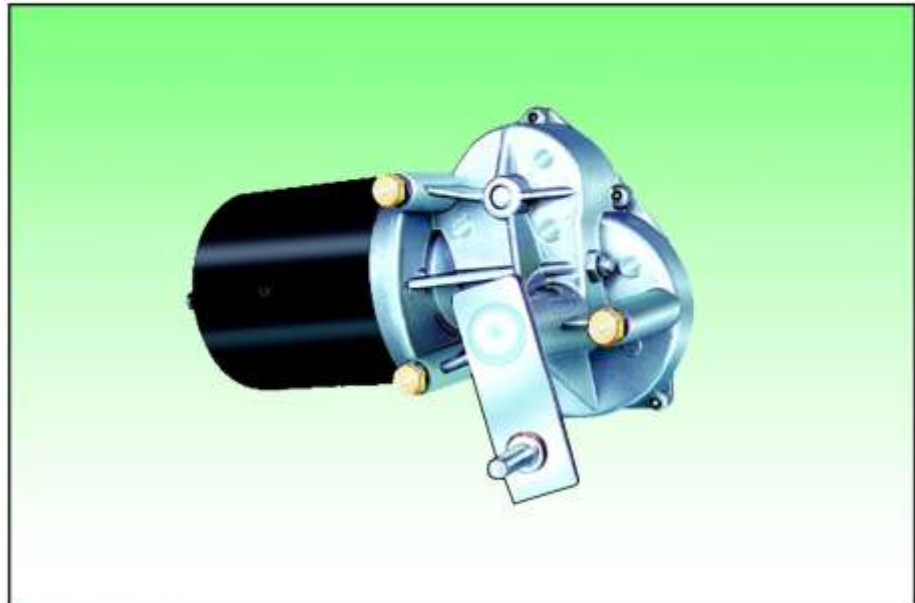


Wiper Motor
Type : 17W
24V - 29.0 N.m. @ 13.5V



APPLICATION

Designed for Wind Shield wiping on Light Commercial and Commercial Vehicles.

RATINGS

Electrical
System Voltage : 24 Volts
Polarity : Insul return or Earth return

Thermal
Operating ambient temperature range : -20°C to +90° C

CHARACTERISTICS

Electrical
Typical light running current (wet screen) : 1.5 Amps at normal speed
2.5 Amps at high speed

Mechanical
Rated Torque (Cold) at Output : 29 Nm at 13.5
Gear : Volts
Nominal Wiping Speed : 32 Wipes per min.
at 13.5 V low speed 48 Wipes per min, at 13.5V high speed

Angle of wipe : 80° 108°
Weight : 2 kgs (approx)
Dimensions : Principle dimensions are given overleaf. Detailed drawings are available on request.

Salient features

- This Wipermotor has a Capacitor connected in parallel to power supply to minimise radio interference.
- A thermal cutout is provided as a protective device to protect the Armature winding in the event of a blade lock.
- A ball bearing is provided on the commutator end of the Armature to minimise friction losses and thereby increase torque of the Wipermotor.

Mounting
Three point stud fixing from gear box base with M6 Bolt

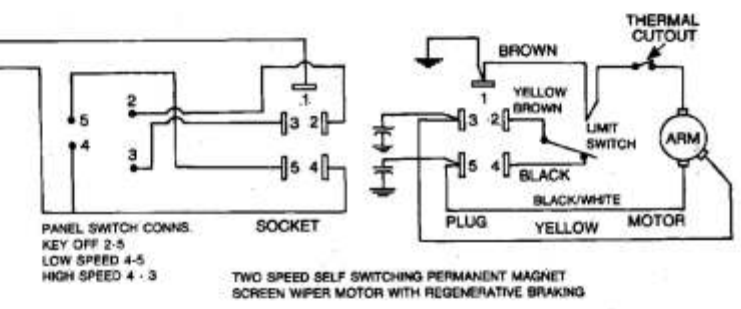
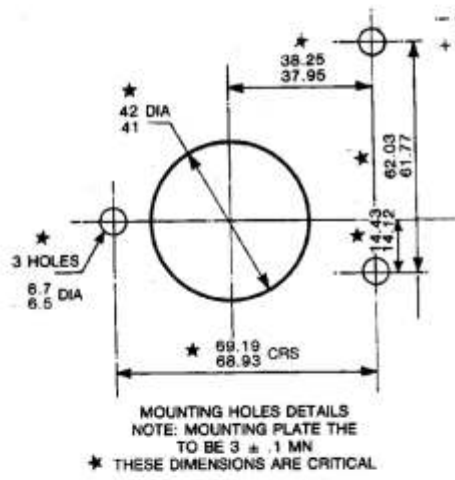
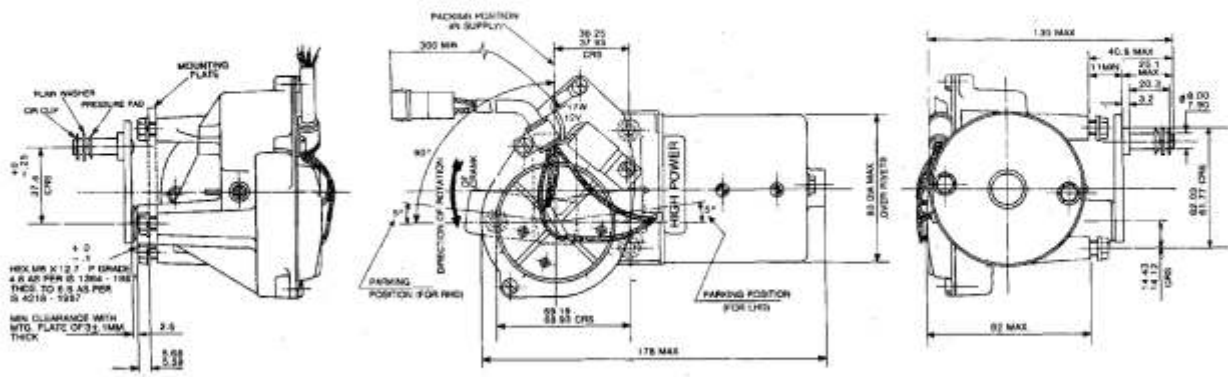
Life
Continuously rated for 750 hours.

PRODUCT DATA SHEET

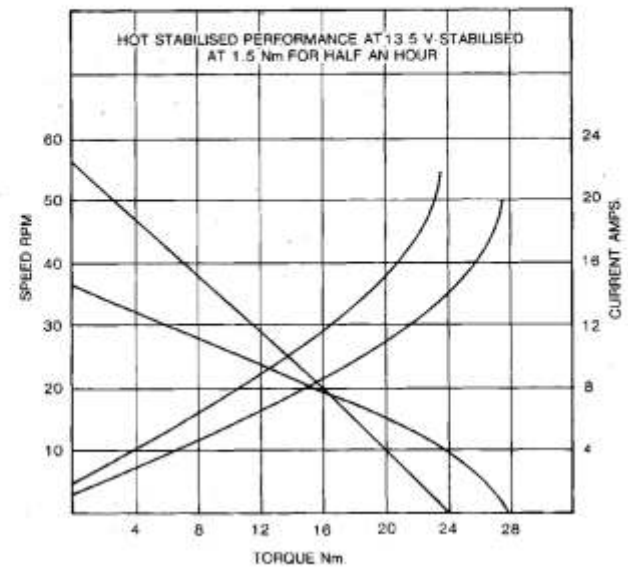


All Dimensions are in mm

Wiper Motor
Type : 17W
24V - 29.0 N.m. @ 13.5V



WIRING DIAGRAM
 TERMINAL NO.1 MUST BE NEGATIVE TO ATTAIN CORRECT DIRECTION OF ROTATION
 TERMINAL NO.5 MUST BE POSITIVE



This product can only be used in approved applications and in accordance with maintenance requirements and replacement intervals. This information is available on request.